



1" SNAP LOCK PLYWOOD INSTALLATION DETAILS

▶ INTRODUCTION

The application and detail drawings in this manual are strictly for illustration purposes and may not be applicable to all building designs or product installations. All projects should conform to applicable building codes for that particular area. It is recommended to follow all building regulations and standard industry practices. If there is a conflict between the instructions in this manual and actual building codes or erection drawings, the building codes and erection drawings are to take precedence.

Prior to ordering and installing materials, all dimensions should be verified by field measurements. We reserve the right to modify, without notice, any details, recommendations or suggestions. Any questions you may have regarding proper installation of the Snap Lock roofing system should be directed to us.

Consult us for any additional information not outlined in this manual.

This manual is designed to be utilized as a guide when installing the Snap Lock roofing system. It is the responsibility of the erector to ensure safe installation that results in the proper performance of this product system.

▶ SAFETY

STUDY APPLICABLE OSHA AND OTHER SAFETY REQUIREMENTS BEFORE FOLLOWING THESE INSTRUCTIONS.

Safety railing, netting, harnesses and safety lines should be provided and used by all crew members working on the roof.

All personal protective equipment (i.e. gloves, safety glasses, long sleeves, long pants, hard hats) should be worn when installing or handling products.

INSTALLATION DETAILS

▶ MATERIAL STORAGE

- Unload material and inspect for damage. Notify your sales contact immediately for all damaged material.
- It is recommended that pre-painted material be stored in an indoor facility isolated from the elements. If material must be stored outside proper precaution must be taken.
- If bundles are stored on the ground, a plastic cover must be put down under the bundle to minimize condensation of water from the ground onto the panels. The bundles must be raised off the plastic ground cover to avoid contact with water puddles and allow for air circulation around the bundles to promote drying of condensed water. The panels must be stored at an angle to promote drainage of water off the bundle. Sufficient support must be provided to the raised and angled bundles to avoid excessive bowing, which may result in low spots that could hold water.
- The bundle must be completely sheltered with a loose fitting waterproof tarp to protect the bundle during rain or snow events, but allow for air circulation and drying of condensed water.
- In addition to water there are other important factors that contribute to the corrosion of stored, pre-painted panels. These factors are temperature and exposure time. Given enough time, panels will eventually become wet and storage corrosion may occur under most job site conditions. Even in a well protected bundle the natural temperature and humidity variations will cause water to condense on and between the panels. Shipping the bundle from cold area to a warm area will cause water to condense not only on the bundle but also between the panels.

In conclusion, storage corrosion can be prevented by:

1. Decreasing water contact.
2. Moderating temperature extremes.
3. Immediately drying moisture exposed bundles.
4. Reducing site storage time.



INSTALLATION DETAILS

▶ CUTTING

Tin snips or a “nibbler” type electric tool are recommended for field cutting of panels. Cutting the steel generates slivers and metal chips. These slivers and metal chips must be immediately removed from the panels because they could damage the finish and shorten the life span of the product.

Although we do not recommend it, if you decide to cut with a saw, it is very important that the panels be turned upside down during the cutting so that hot shavings do not come in contact with the painted surface. Make sure all adjacent panels are covered so that shavings are not embedded in these panels. If metal shavings become embedded in the paint surface, they will quickly rust. To avoid this, panels should be thoroughly wiped of all filings on both sides of the panel. Failure to comply with the recommended cutting procedures releases the manufacture of any responsibility.

▶ RECOMMENDED TOOLS

Screw Gun

Clutch type screw gun allowing for variable torque settings with depth locating nose piece is recommended to insure proper installation of the screws. The following bits will be required:

- ¼” Hex
- 5/16” Hex
- #2 Phillips Screw Driver Bit

Snips

For cutting miscellaneous panels and flashing, three pair of compound snips will be required for left edge, right edge and centerline cuts.

Caulking Gun

For miscellaneous caulking and sealing to inhibit water infiltration.

Pop Rivet Tool

Used for miscellaneous flashing and trim applications.

Locking Pliers

Standard and “Duck Bill” styles for miscellaneous clamping and bending of parts.

Panel Notcher

For field notching panels to be field hemmed along edge.

Hole Punch

Eases in installation of rivets.

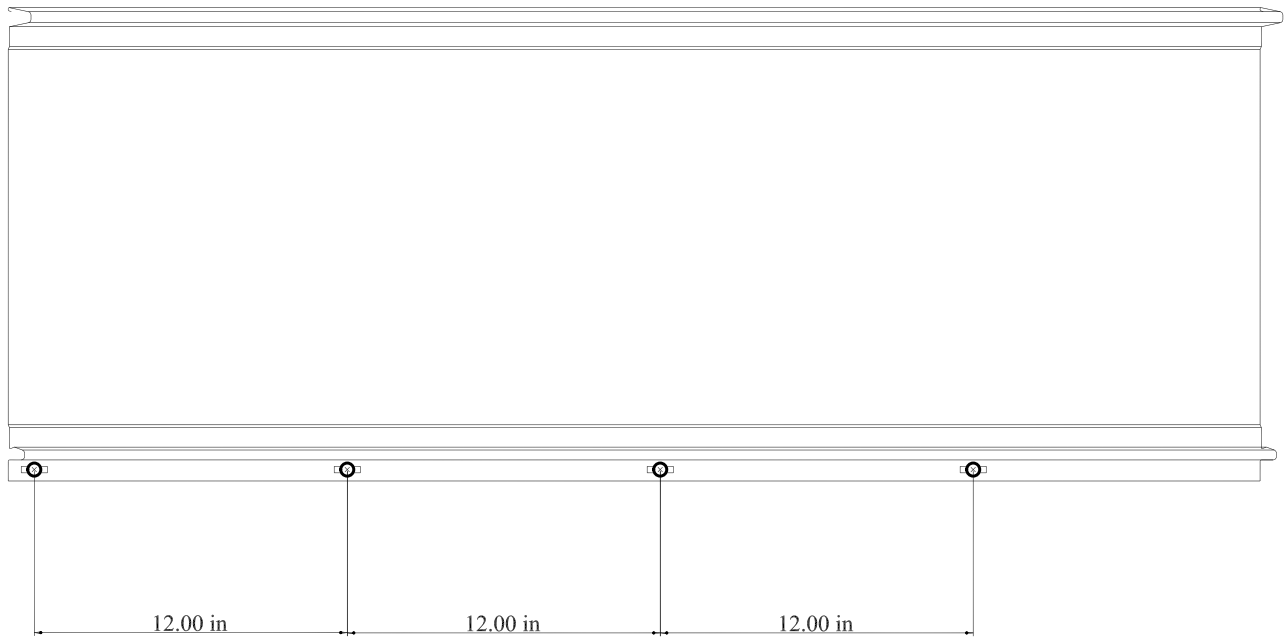
Drip Edge Folding Tool

Used to field hem roofing panels for installation on various trim pieces.



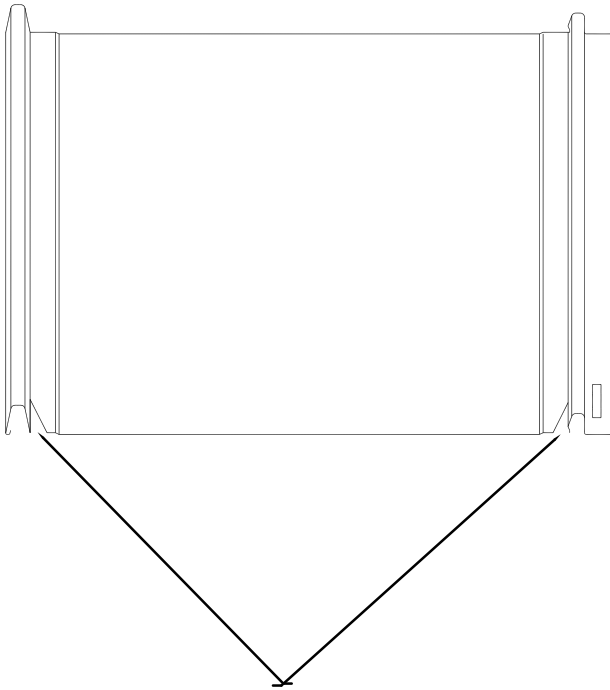
SNAP LOCK PANEL SCREW PLACEMENT

Screws should be placed in 12" increments down the length of the nail/screw leg.



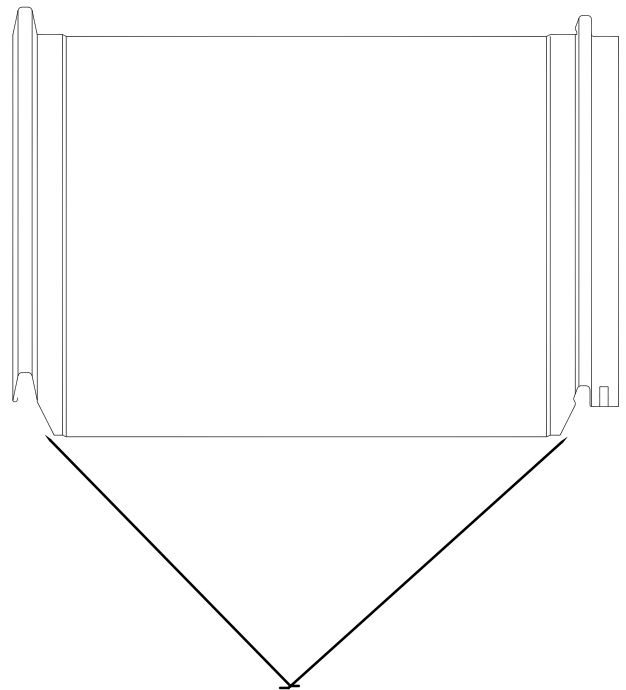
PREPARING PANELS FOR FIELD HEMMING

STEP #1



Panel Notched with 1" Notching Pliers

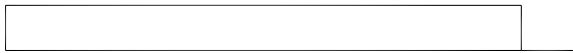
STEP #2



Remove both section of rib even with end of the notch.

FIELD HEMMING ROOFING PANELS

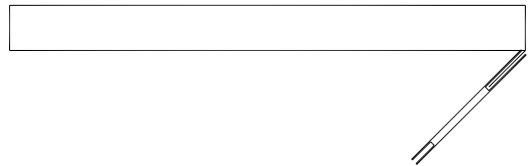
SIDE VIEW OF PANEL WITH NOTCH REMOVED



Drip Edge Folding Tool



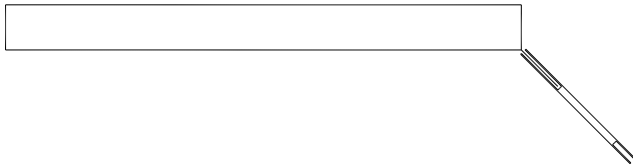
Step 2 continued



Step 1 - Insert notched panel edge into drip edge folding tool.



Step 2 - Slowly rotate folding tool down to create hem.



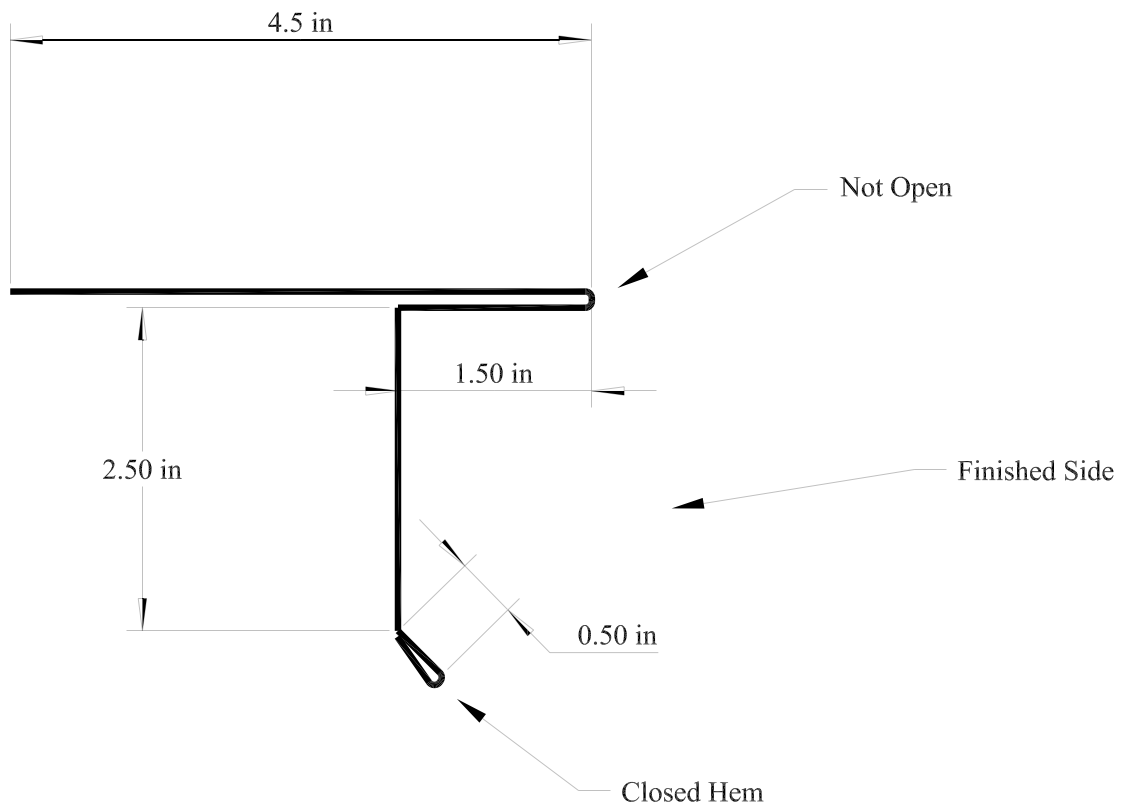
Step 3 - Ensure folding tool has made a complete bend across width of the panel.



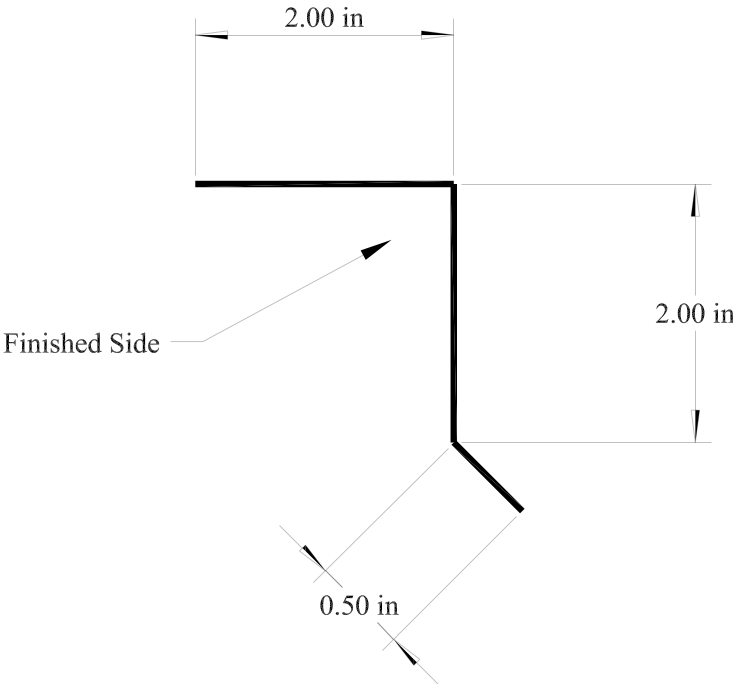
Step 4 - Remove folding tool to expose field hemmed edge.



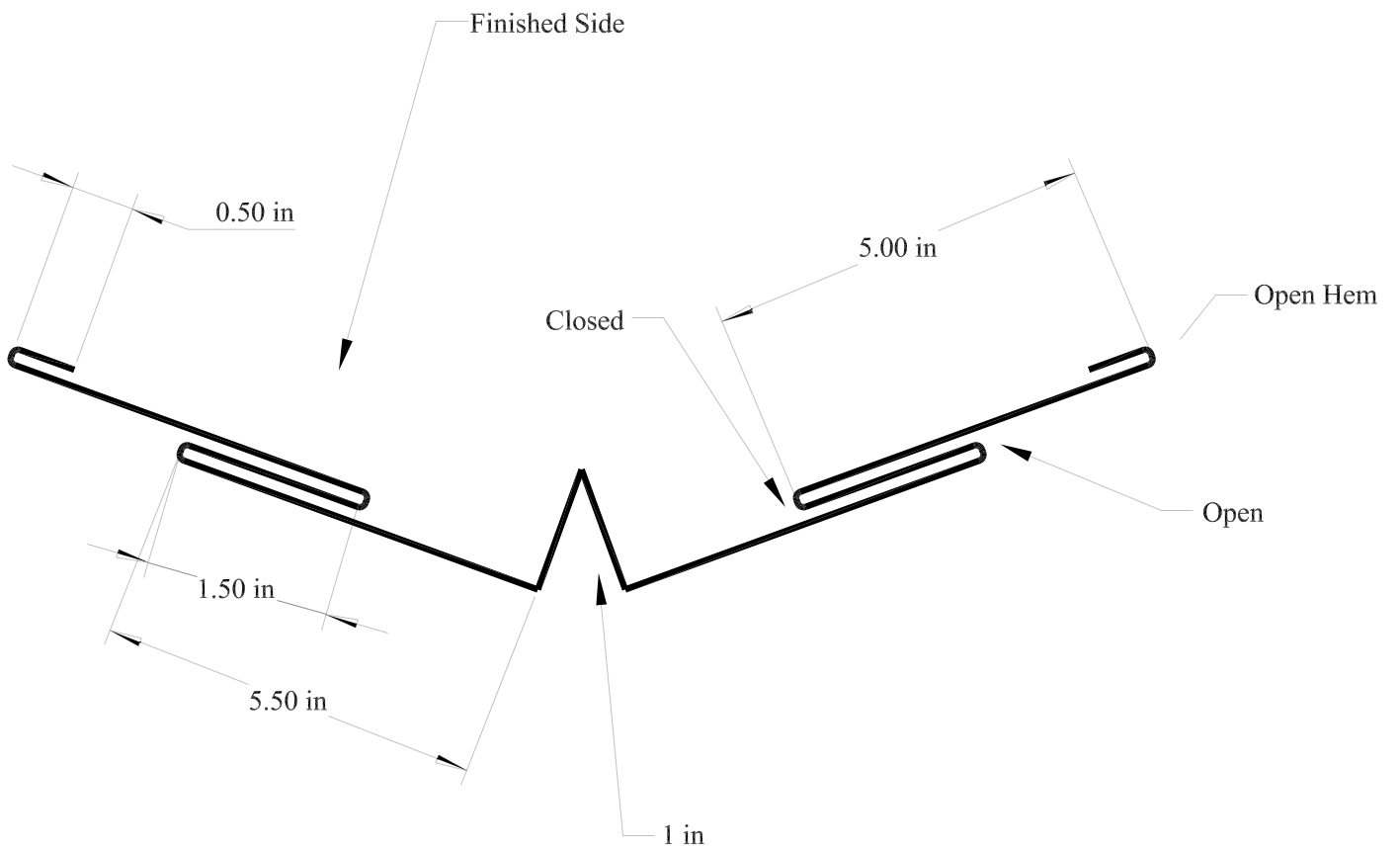
SNAP LOCK T-DRIP



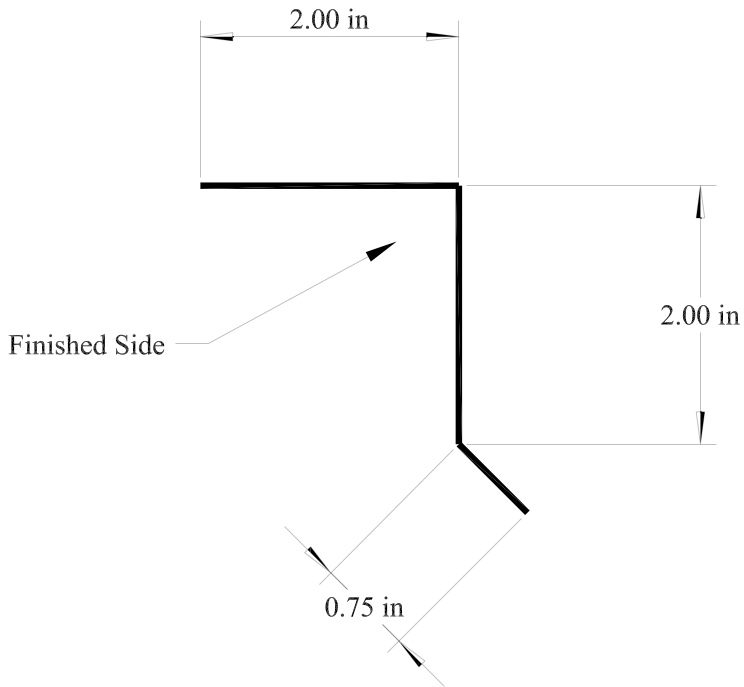
DRIP CLEAT



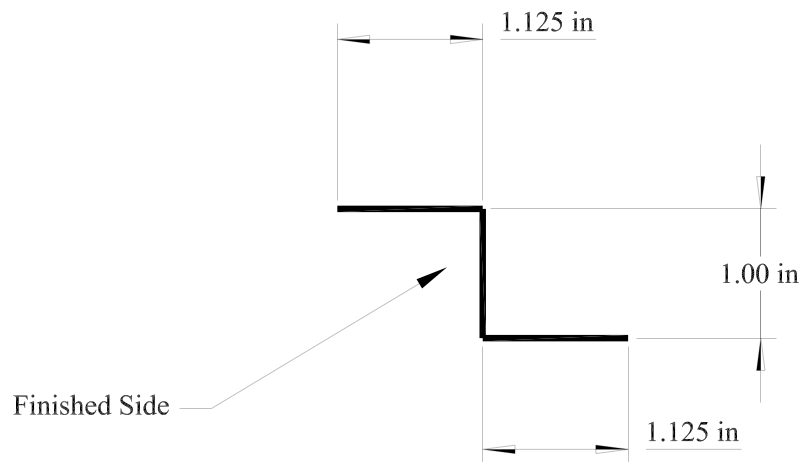
SNAP LOCK VALLEY LARGE



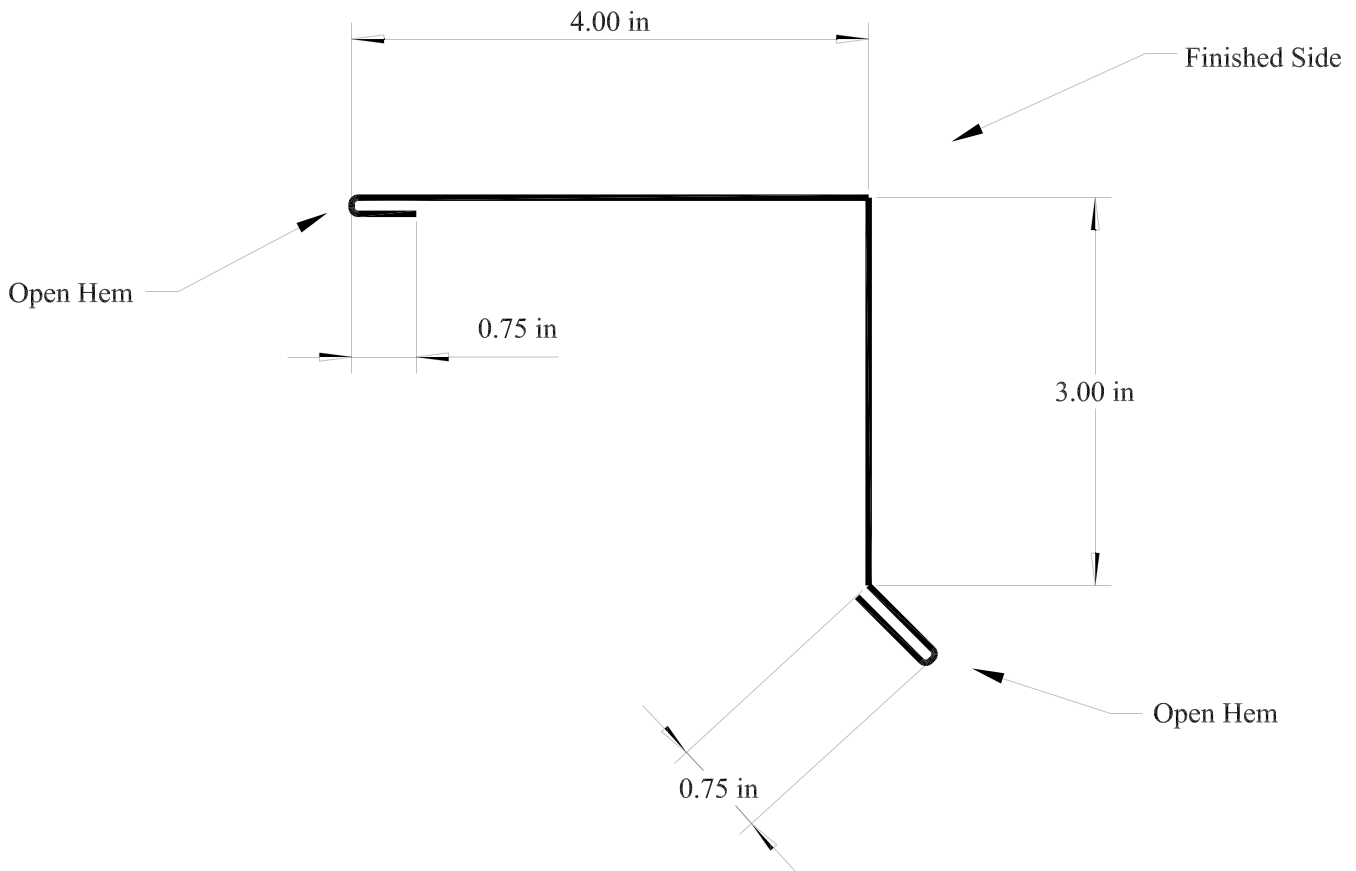
SNAP LOCK RAKE CLEAT 1"



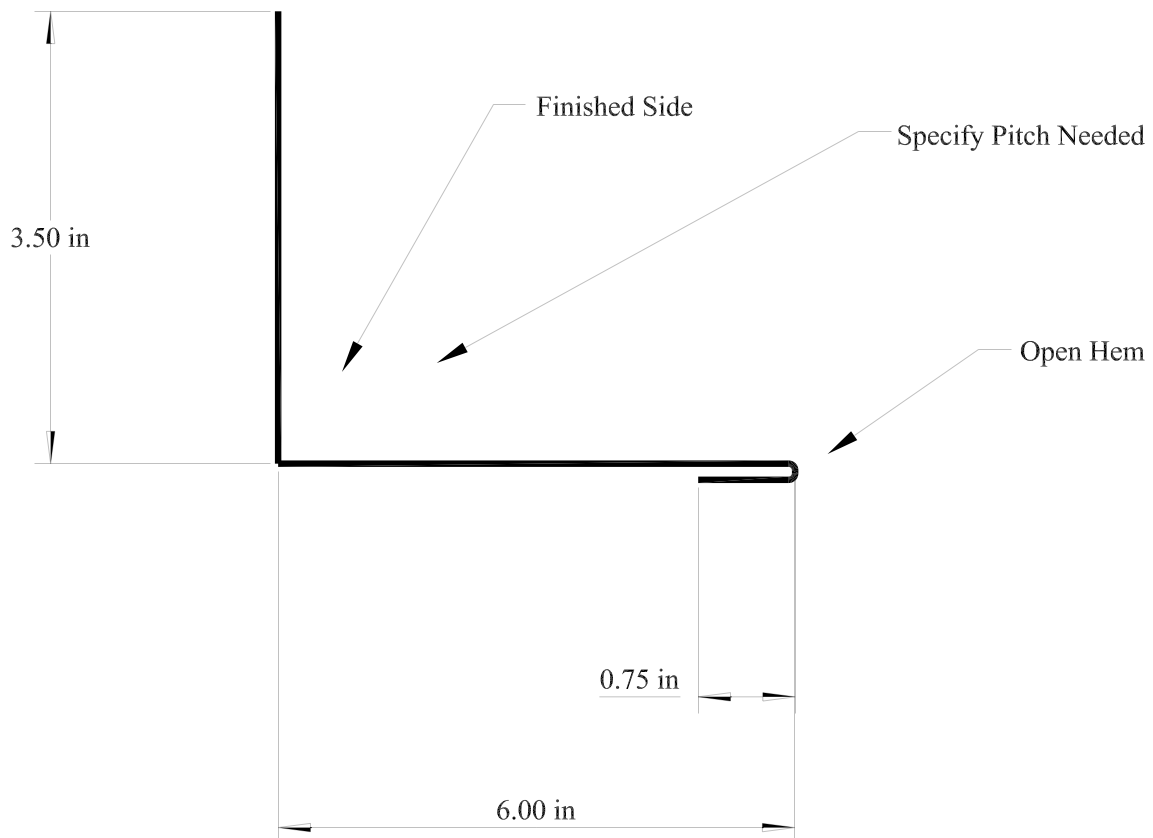
SNAP LOCK ZEE CLOSURE 1"



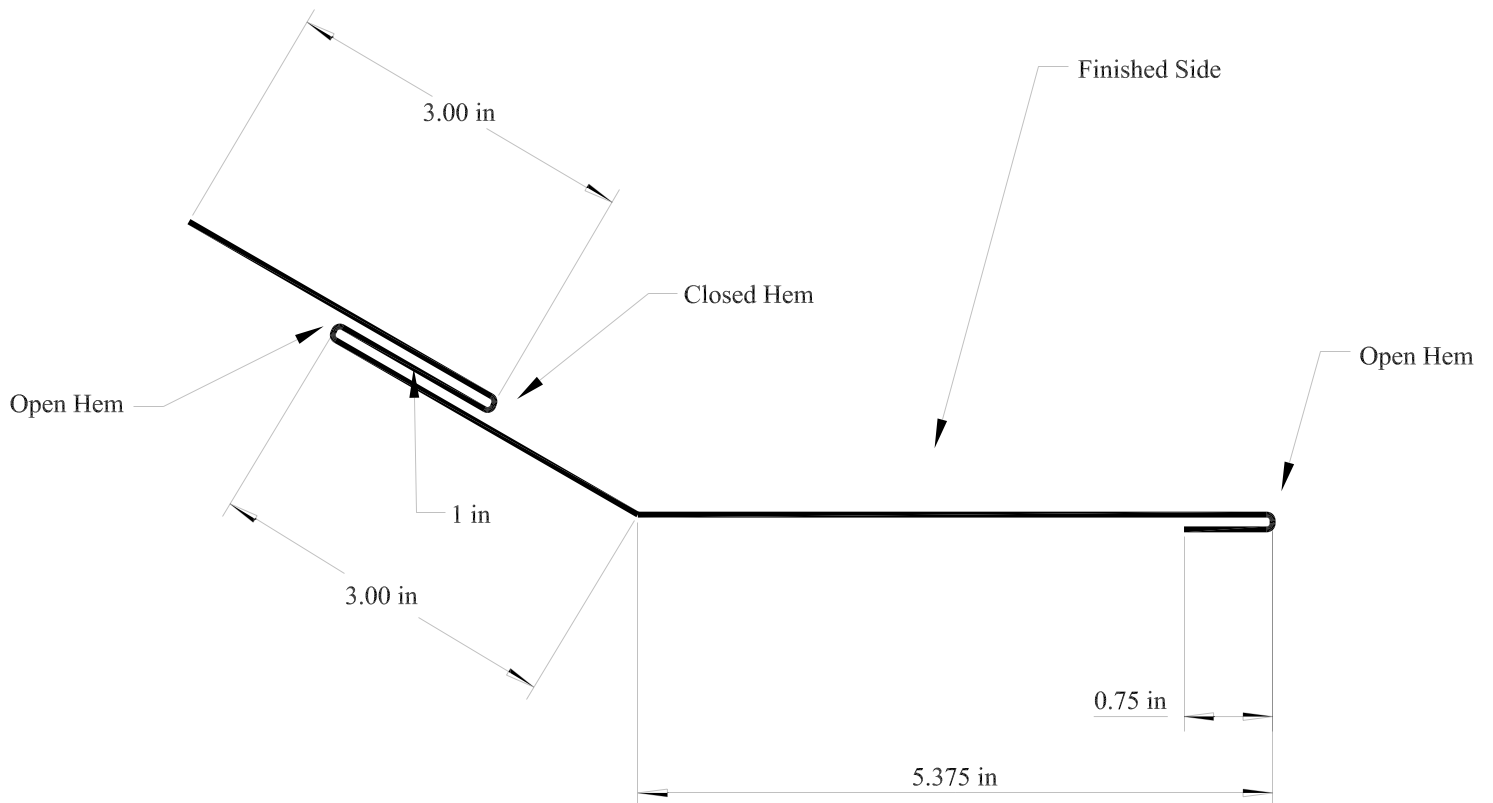
SNAP LOCK RAKE TRIM



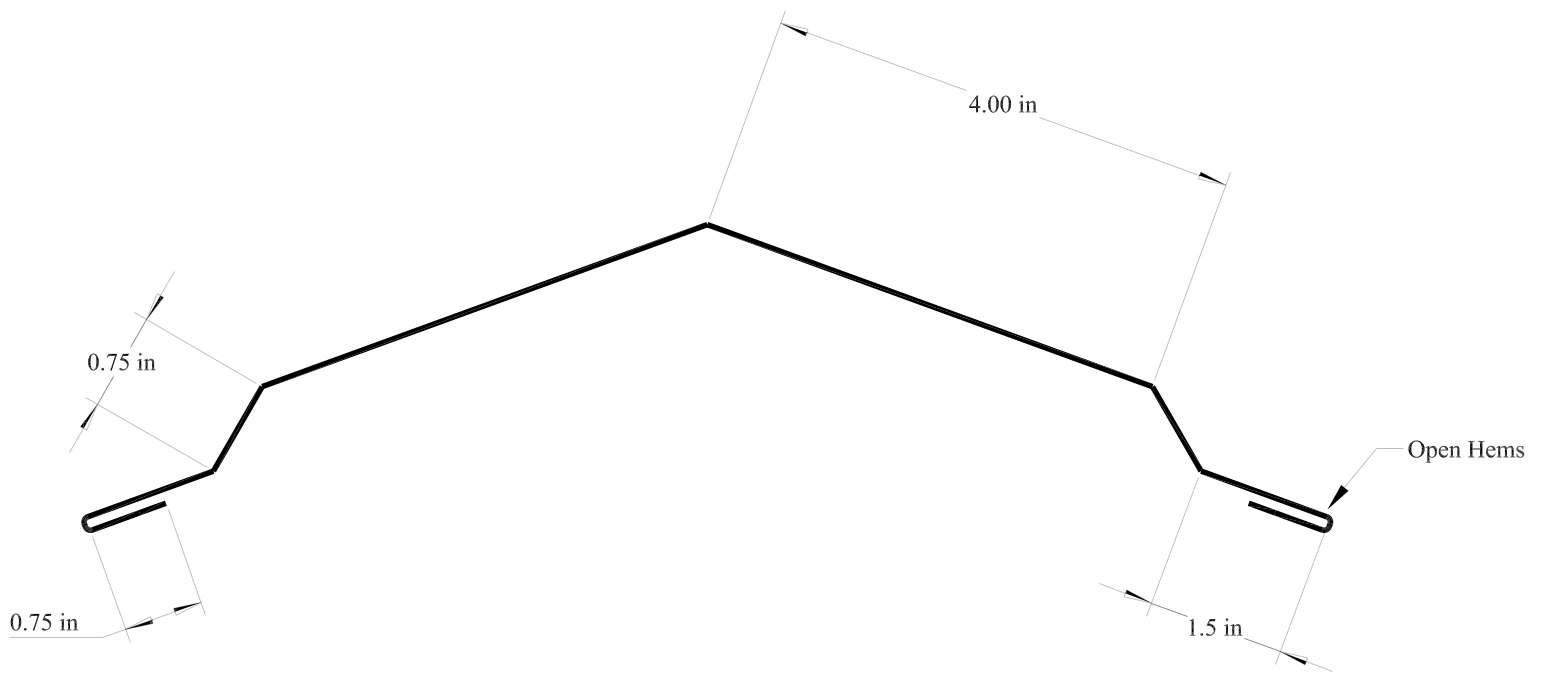
SNAP LOCK SIDEWALL/ENDWALL FLASHING



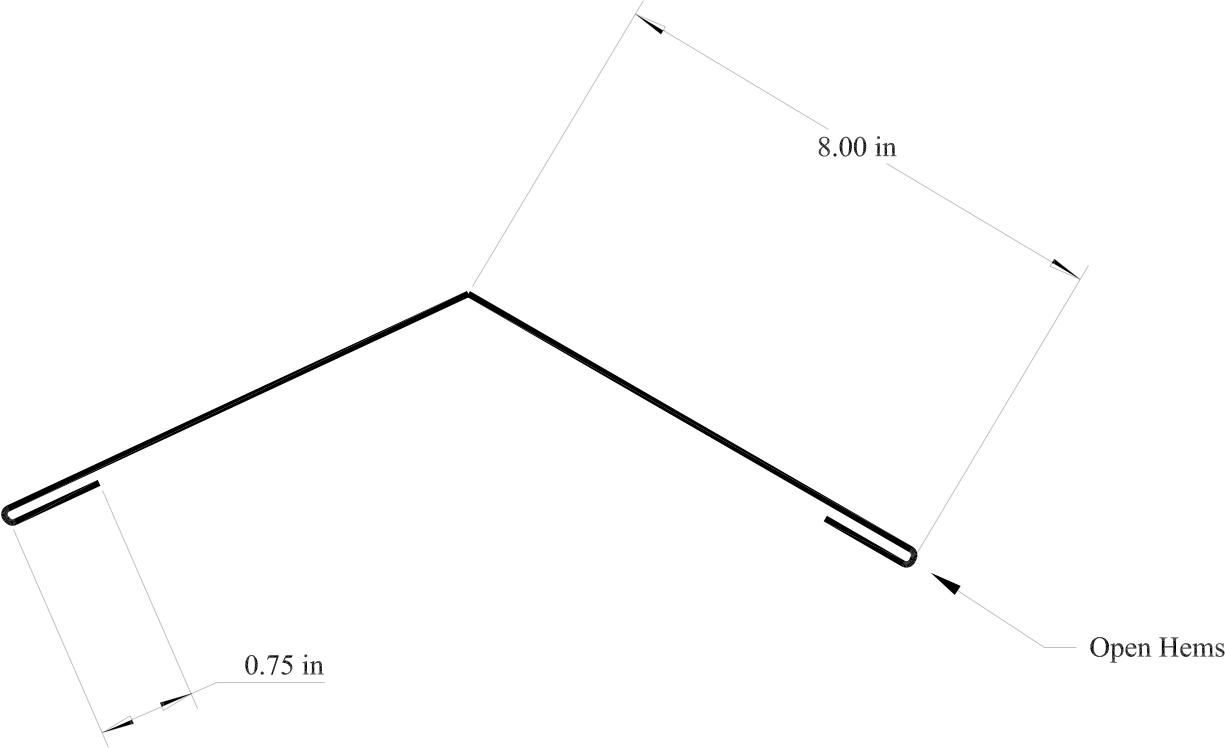
SNAP LOCK GAMBREL (TRANSITION) TRIM



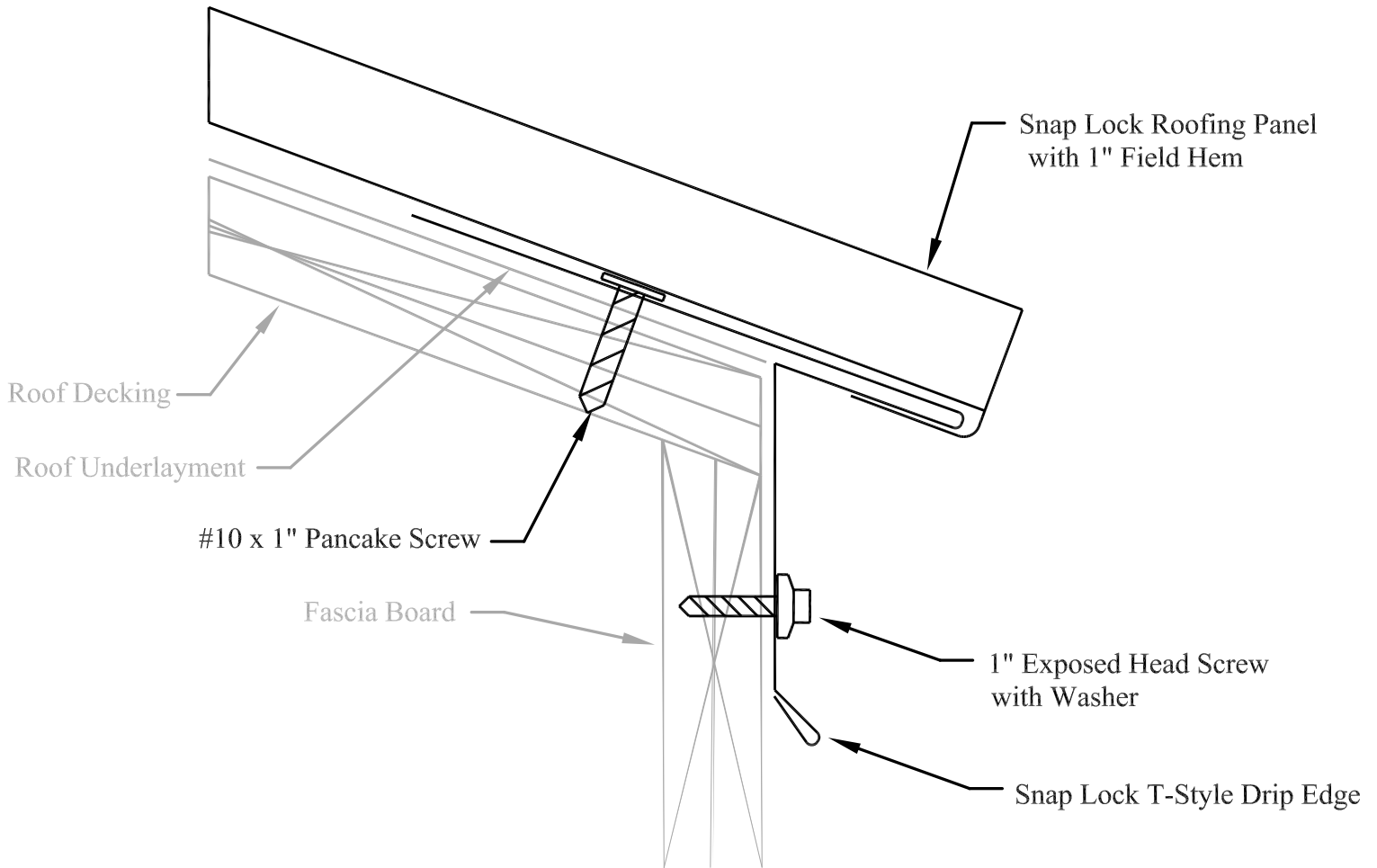
SNAP LOCK RIDGE CAP



SNAP LOCK HIP CAP

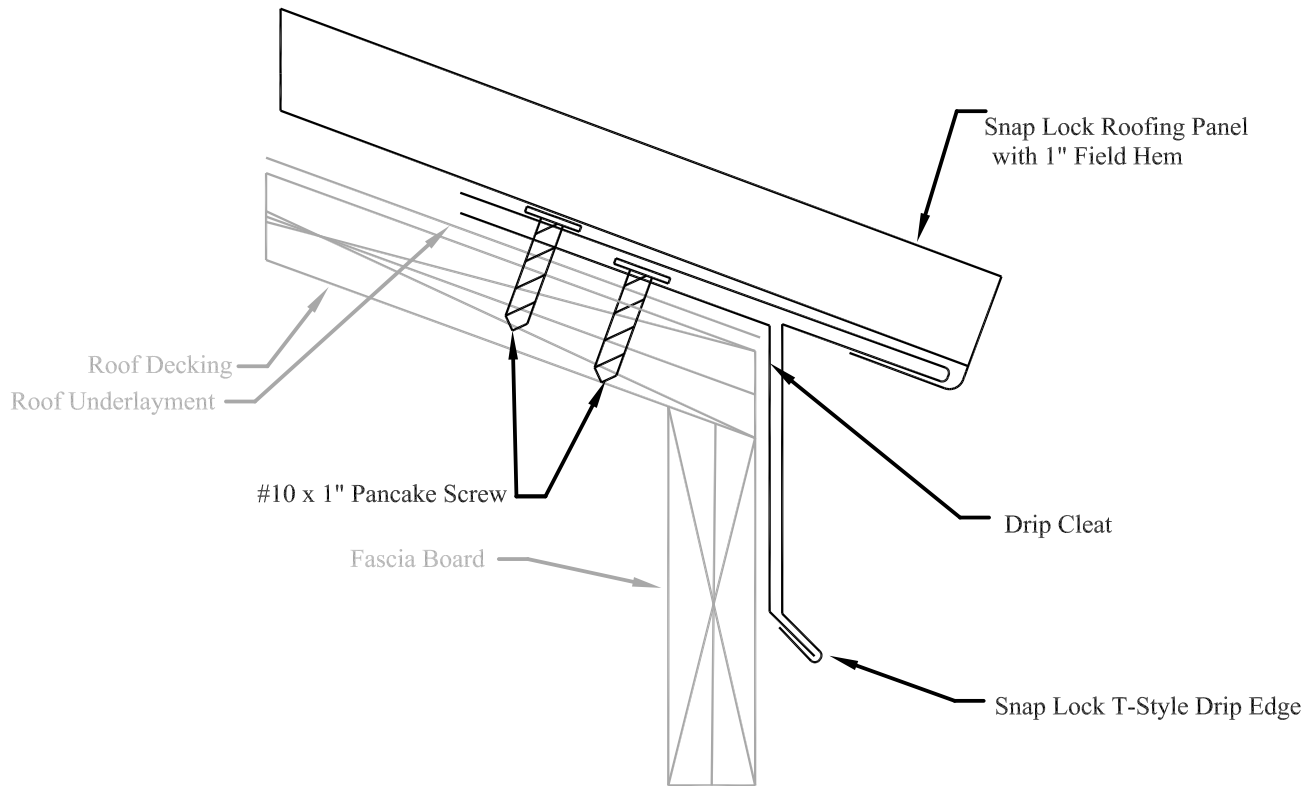


T-DRIP INSTALLATION ILLUSTRATION



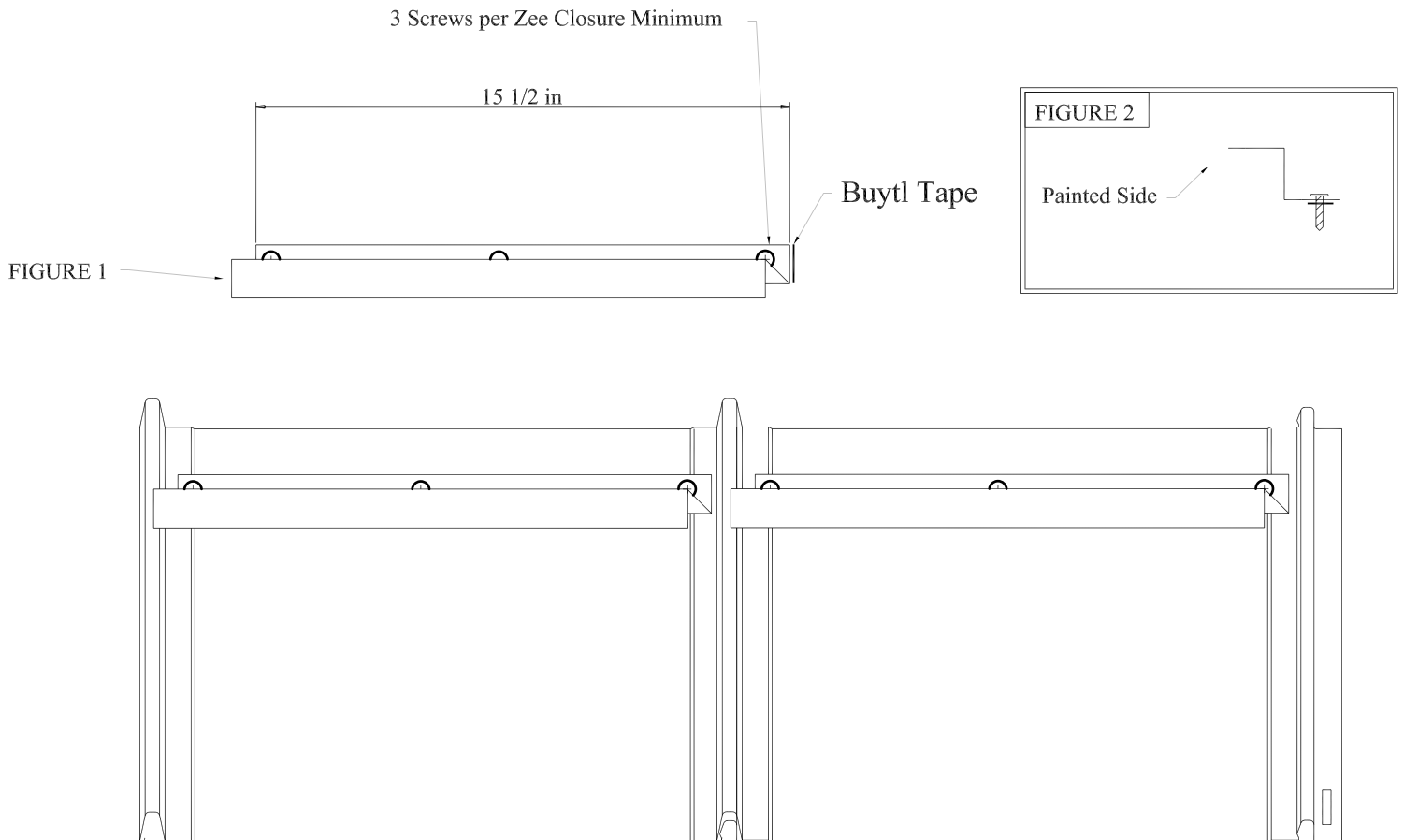
*Required Items: T-Drip, Pancake Screws and Exposed Head Screws.

T-DRIP INSTALLATION ILLUSTRATION WITH DRIP CLEAT



*Required Items: T-Drip, Drip Cleat, Pancake Screws and Exposed Head Screws.

ZEE CLOSURE FIELD CUTTING AND INSTALLATION

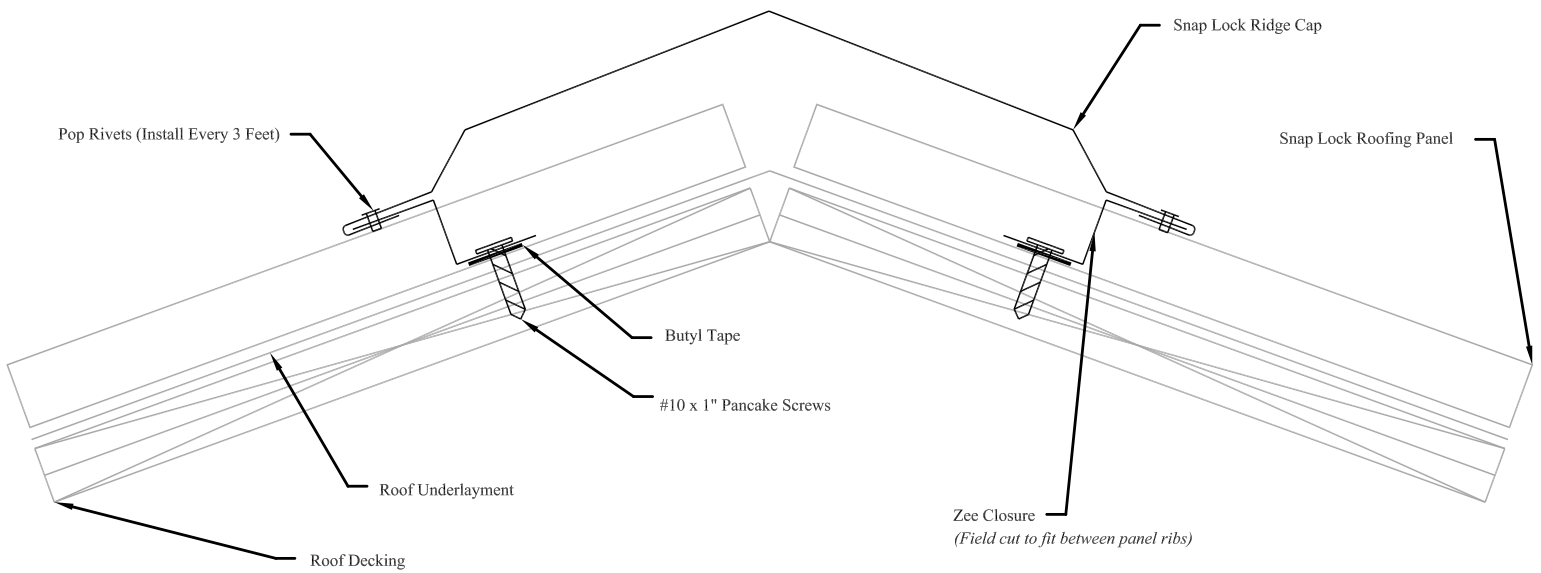


* ZEE CLOSURE MUST BE FIELD CUT TO 15.5" TO FIT BETWEEN THE RIBS OF THE PANELS (SEE FIGURE 1)

** BUTYL TAPE MUST BE APPLIED TO BOTTOM SIDE OF ZEE CLOSURE BEFORE APPLIED TO THE PANEL (SEE FIGURE 2)

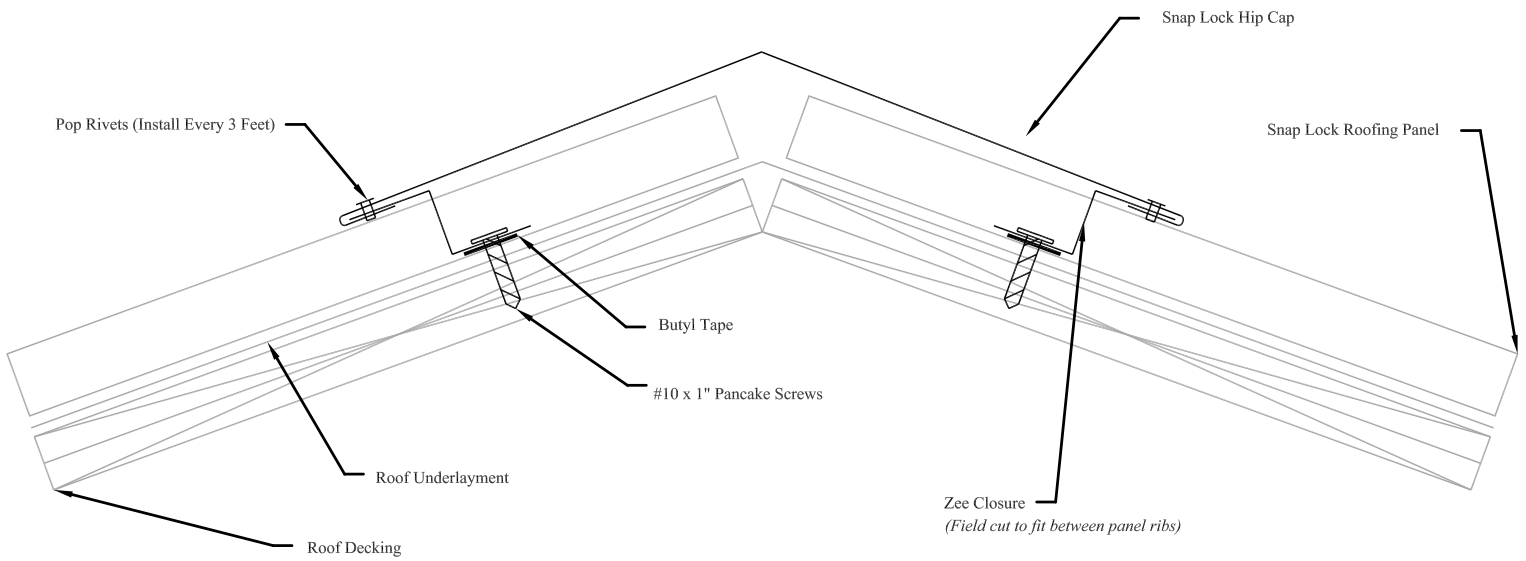
RIDGE CAP ILLUSTRATION

*Required Items: Ridge Cap, Zee Closure, Butyl Tape, Pancake Screws and Pop Rivets



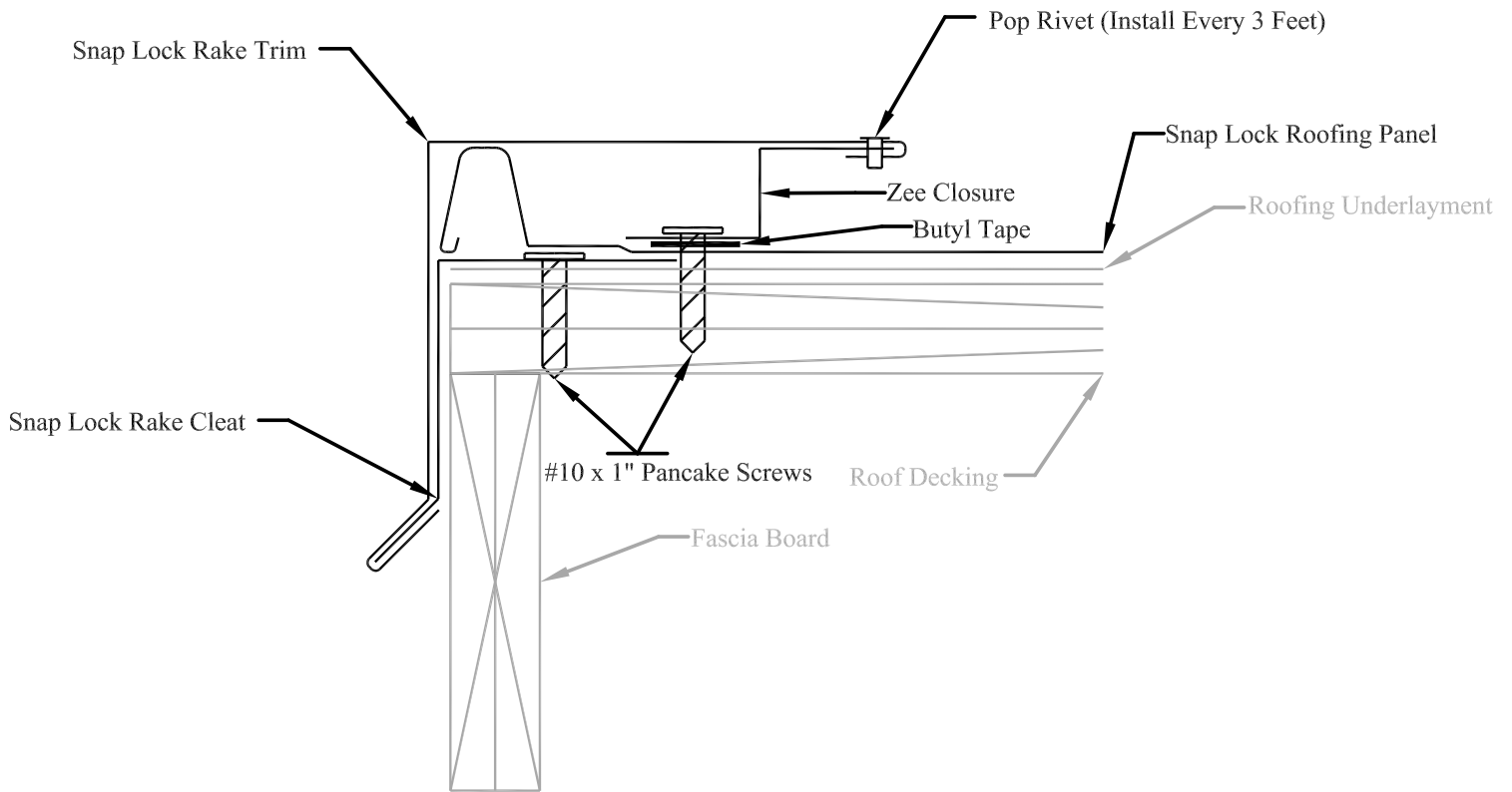
HIP CAP ILLUSTRATION

*Required Items: Hip Cap, Zee Closure, Butyl Tape, Pancake Screws and Pop Rivets



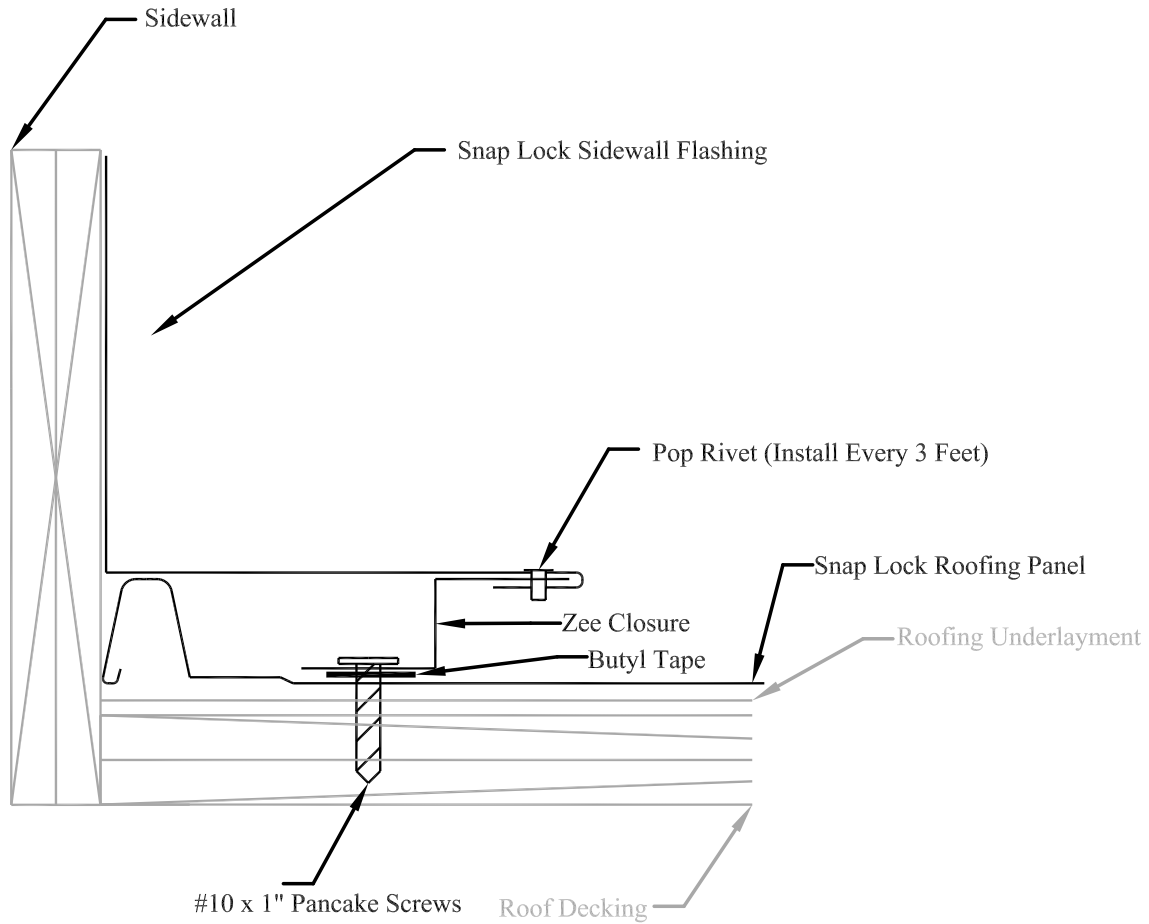
RAKE TRIM ILLUSTRATION

*Required Items: Rake Trim, Zee Closure, Cleat, Butyl Tape, Pancake Screws and Pop Rivets



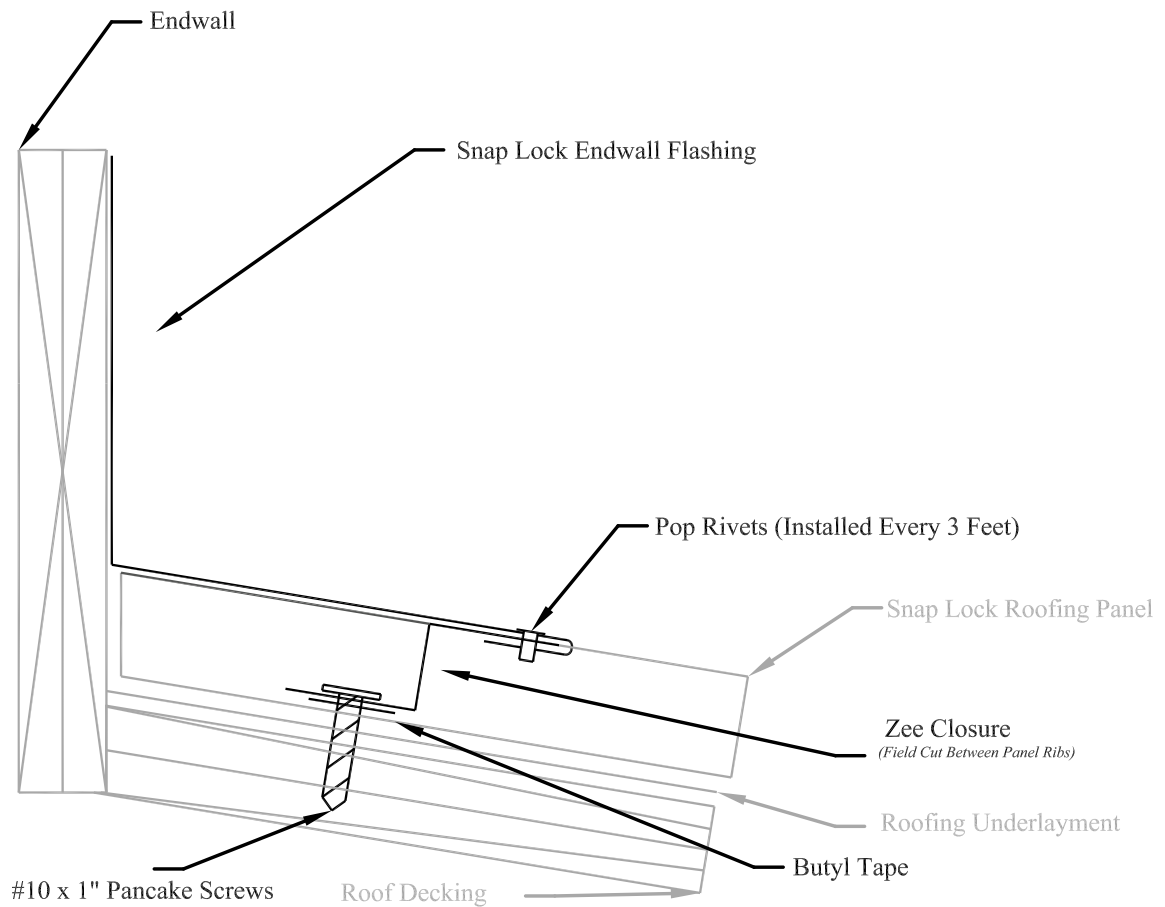
SIDEWALL INSTALLATION ILLUSTRATION

*Required Items: Sidewall Trim, Zee Closure, Butyl Tape, Pancake Screws and Pop Rivets



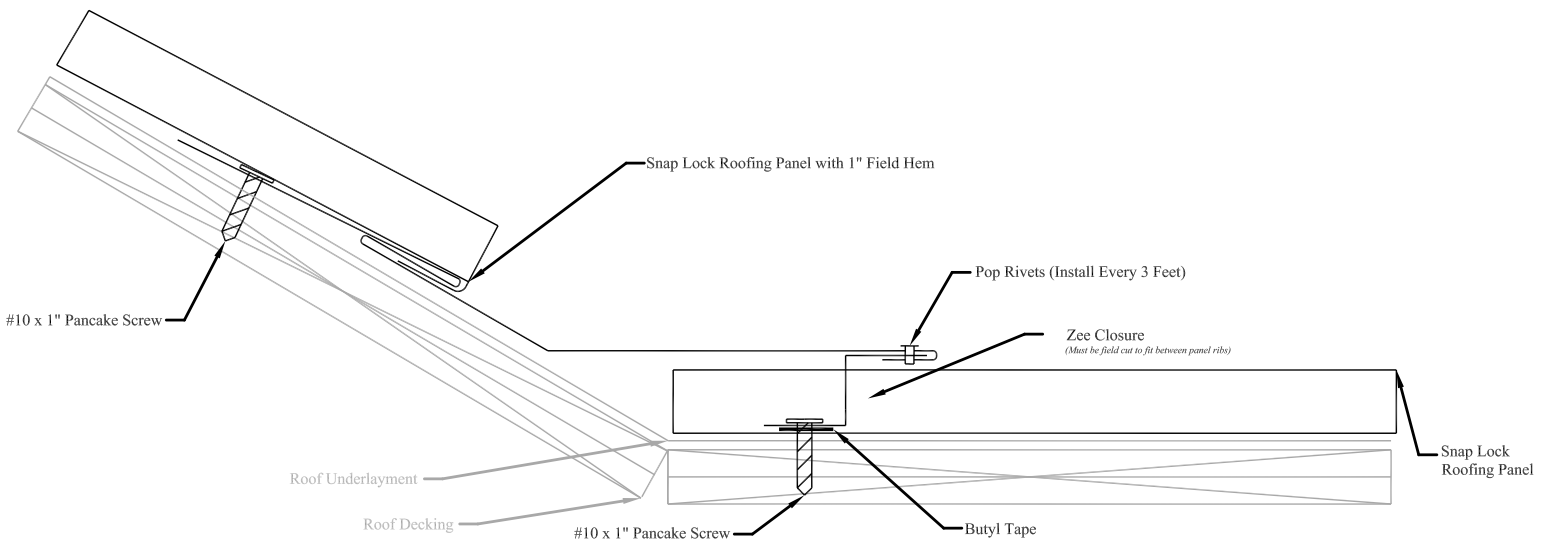
ENDWALL INSTALLATION ILLUSTRATION

*Required Items: Endwall Trim, Zee Closure, Butyl Tape, Pancake Screws and Pop Rivets



PITCH CHANGE (TRANSITION) FLASHING ILLUSTRATION

*Required Items: Pitch Change, Zee Closure, Butyl Tape, Pancake Screws and Pop Rivets



VALLEY INSTALLATION ILLUSTRATION

*Required Items: Valley and Pancake Screws

